



P-Tube Recuperative Burners

Model PTB600

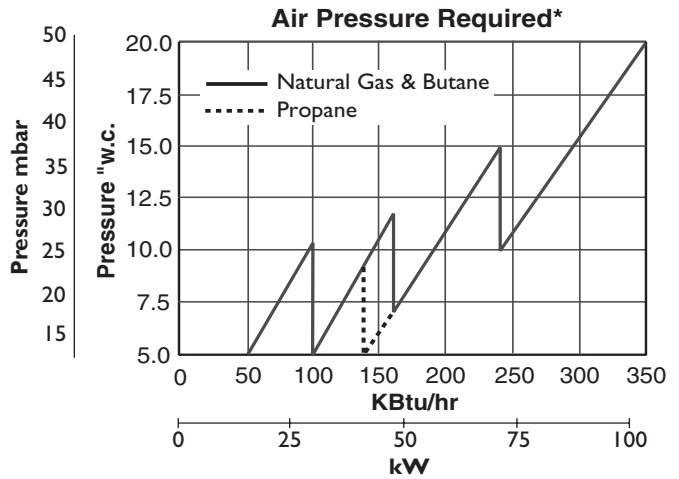
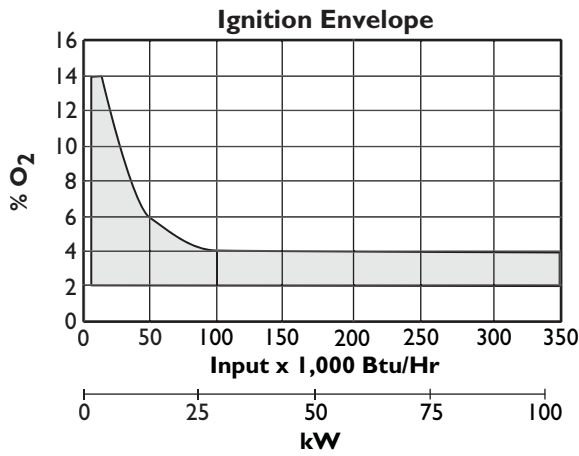
Version 1

Parameter		Burner Input 1000's Btu/Hr (Kw)				
		75 (22.0)	150 (44.0)	240 (70.3)	350 (103)	
Low firing rate 1000's Btu/hr (kW) Between 150-220% excess air		10 (2.9)	10 (2.9)	10 (2.9)	10 (2.9)	
Differential air pressure "w.c. (mbar) between tap A and C (See Pages 3 & 4)		5.3 (13.2)	6.2 (15.4)	6.5 (16.2)	6.0 (14.9)	
Recommended air orifice diameter mm		17	22	27	32	
Air Flow SCFH (m ³ /hour) At 15% excess air		863 (24.4)	1725 (48.8)	2875 (81.4)	4025 (113.7)	
Differential gas pressure "w.c. (mbar) between tap B and D (See Pages 3 & 4)		nat. gas	4.3 (10.7)	2.7 (6.7)	7 (17.4)	5.7 (14.2)
		propane	5.0 (12.5)	2.6 (6.5)	7 (17.4)	7.0 (17.4)
		butane	3.7 (9.2)	5.9 (14.7)	5.7 (14.2)	5.4 (13.5)
Recommended gas orifice plate mm		nat. gas	4.6	7.0	7.0	9.1
		propane	3.4	5.8	5.8	7.2
		butane	3.4	4.2	5.8	7.2
Piping		N.P.T. or B.S.P. interface is available.				
Flame detection	U.V. Scanner	Natural Gas only				
	Flame Rod	Natural Gas, propane, butane				
Ignition		direct spark ignition (6 kVAC)				
Fuels		Natural gas, propane, butane <i>For any other mixed gas, contact Eclipse Combustion</i>				

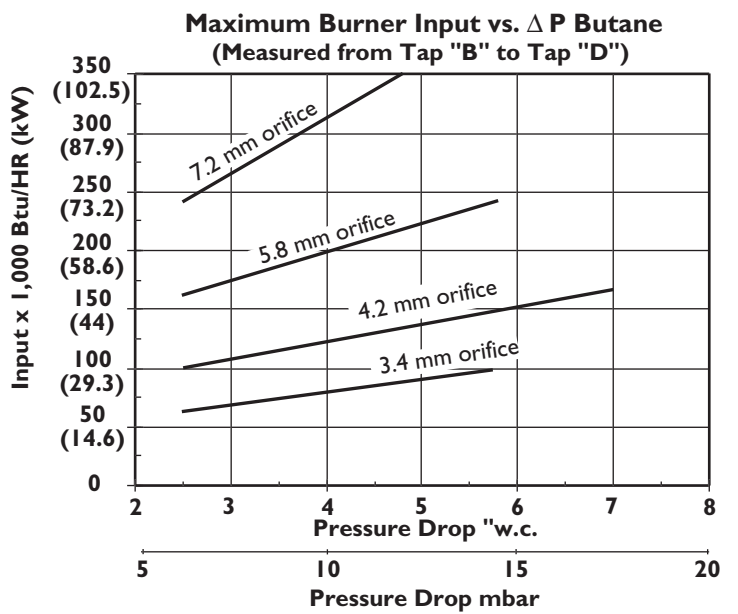
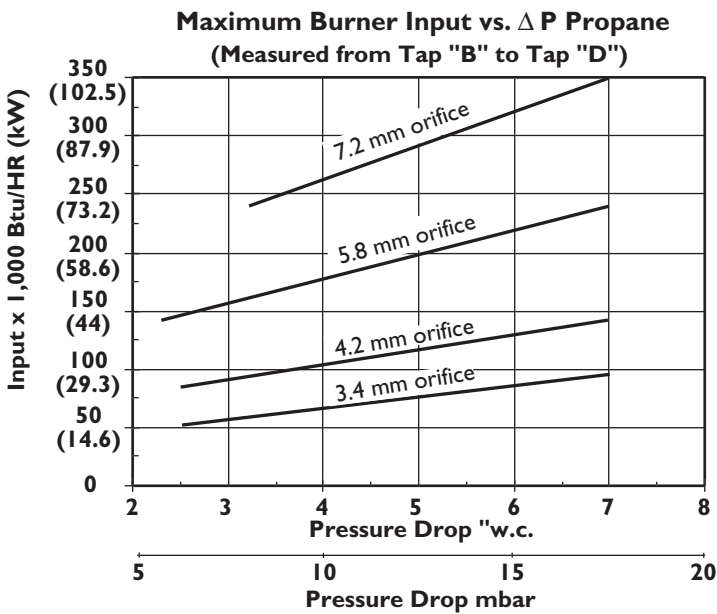
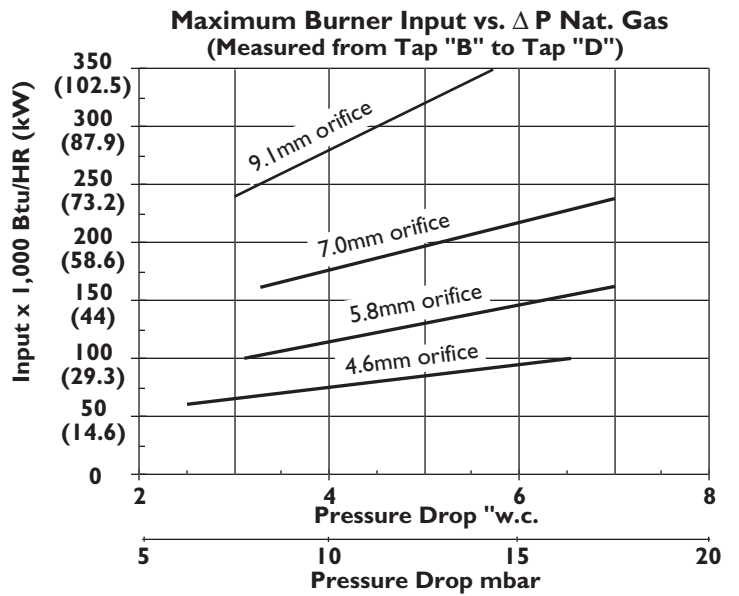
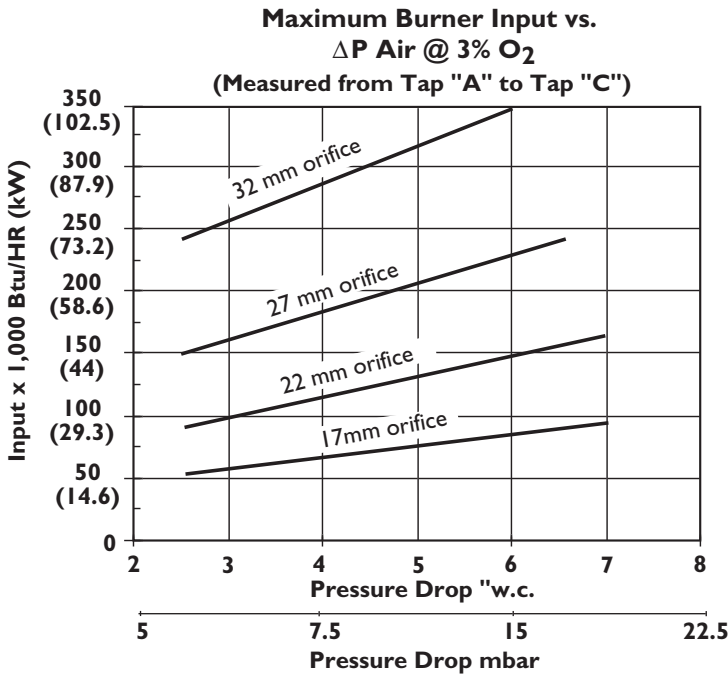
Note: Air supply pressure required at the burner inlets is shown on page 2. Gas pressure should be at least 1" w.c. (2.49 mbar) less than air pressure.

- The low firing rate represents the capability of the burner. Achievement of this rate will be affected by the control method and ratio-regulator used in the system design. Typical ratio regulators provide a 10 to 1 turndown from high to low fire. Eclipse recommends a maximum of 8 burners per ratio regulator.
- All inputs based on gross caloric values.
- Eclipse reserves the right to change the construction and/or configuration of our products at any time without being obliged to adjust earlier supplies accordingly.
- Plumbing of air and gas will affect accuracy of orifice readings. All information is based on generally acceptable air and gas piping practices.

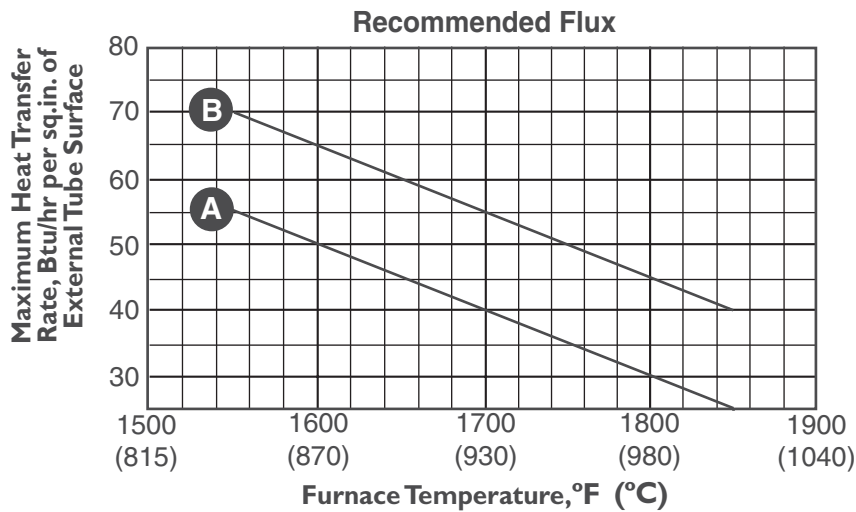
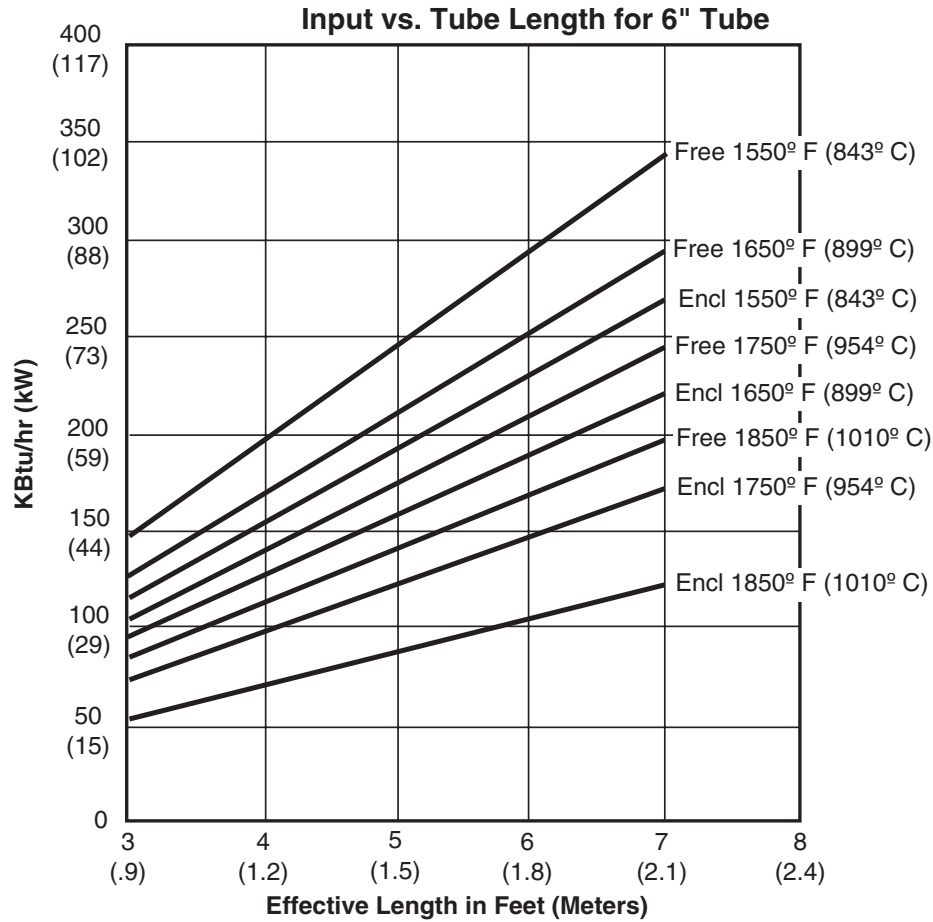
Performance Graphs
PTB600 v1



* Add 2" w.c. (5 mbar) for enhanced ceramic combustor.



Performance Graphs (Cont.) PTB600 v1

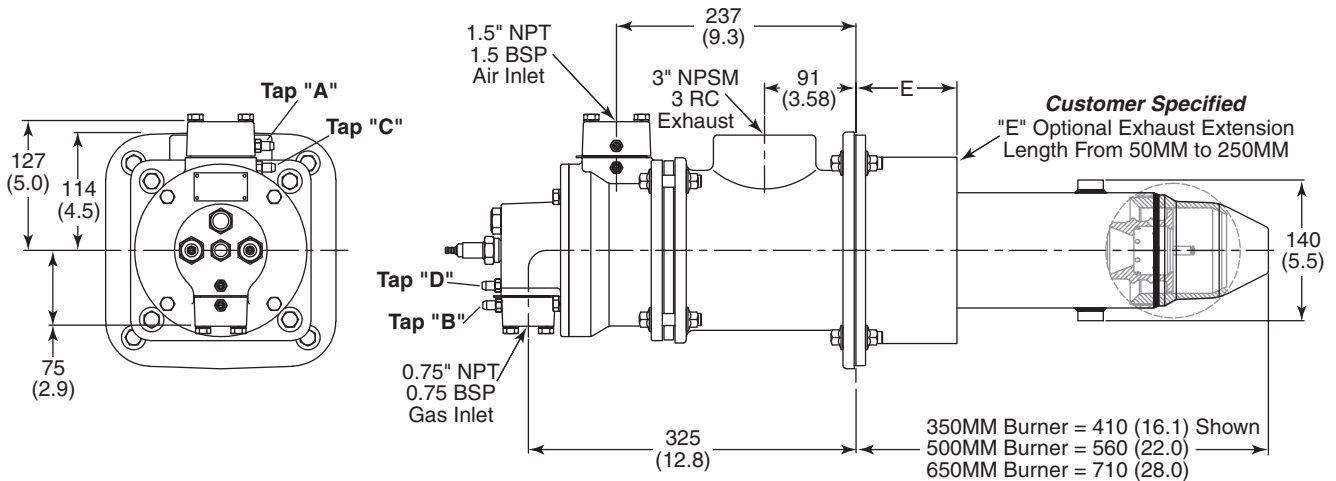


- A** Tube enclosed on three sides.
- B** Tube free to radiate.

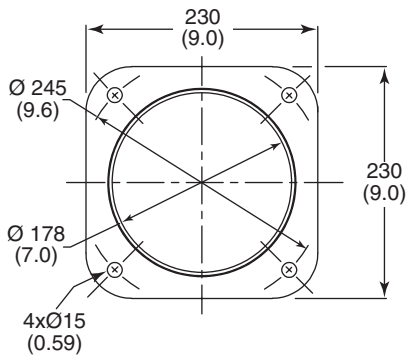
Dimensions & Specifications

PTB600 v1

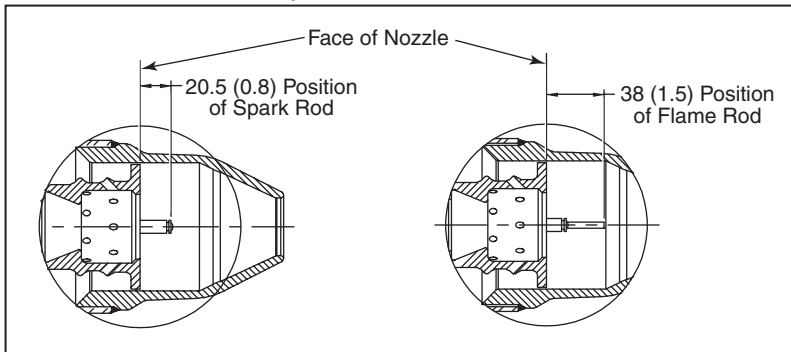
Dimensions in mm (Inches)



Mounting Flange Dimensions



Spark and Flame Rod Detail





Offered By:

Power Equipment Company
2011 Williamsburg Road
Richmond, Virginia 23231
Phone (804) 236-3800
Fax (804) 236-3882

www.peconet.com